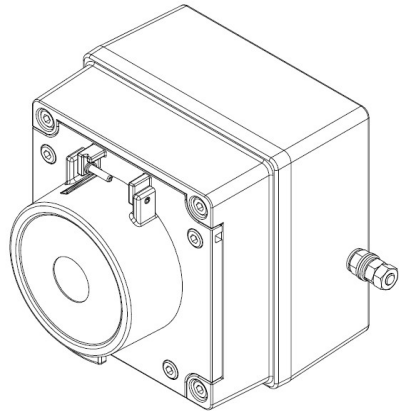


# INSTRUCTION MANUAL

## BExCP3C-PT Tool Reset Manual Call Point

### For use in Flammable Gas and Dust Atmospheres

#### BExCP3C-PT Manual Call Point – Tool Reset With Resistor Modules For use in Flammable Gas and Combustible Dust Atmospheres



#### 1) Introduction

The BExCP3C-PT is a tool reset manual call point which is certified to the European and International Gas and Dust standards. The unit meets the requirements of the ATEX directive 2014/34/EU and IECEx scheme.

The call point can be used in hazardous areas where potentially flammable gas and dust atmospheres may be present.

All units have up to two of the following:

- Monitoring resistors up to 1.5W per module
- Monitoring diode
- Monitoring Zener diode

The units are Group II, EPL (equipment protection level) Gb. The equipment is certified 'Ex db eb mb IIC T4 Gb' and as such may be used in Zones 1 and 2 with flammable gases and vapours with gas groups IIA, IIB & IIC and temperature classes T1, T2, T3 and T4.

These units are also Group III, EPL Db. The equipment is certified 'Ex tb IIIC T75°C Db' and as such may be used in Zones 21 and 22 for combustible dusts groups IIIA, IIIB & IIIC.

#### 2) Ratings & Markings

All units have a rating label, which carries the following important information: -

Unit Type No.:  
BExCP3C-PT Manual Call Point


Input Voltages:

**Important:** See section 7.1 for current ratings


125VDC Max	0.5A Max. Resistive Load; 0.03A Max Inductive Load
75VDC Max	0.75A Max
48VDC Max	1.0A Max
24VDC Max	5.0A Max Resistive Load; 3.0A Max Inductive Load
12VDC Max	5.0A Max
6VDC Max	5.0A Max

Code:  
BExCP3C-PT  
Ex db eb mb IIC T4 Gb  
Ex tb IIIC T75°C Db  
IP66  
-40°C ≤ Ta ≤ +65°C

Certificate No.:  
SIRA 09ATEX3286X  
IECEx SIR 09.0121X  
CSAE 21UKEX3556X

Epsilon x:  II 2GD

CE Marking  
Notified  
Body No.  2813

UKCA Marking  
Notified Body No.  0518

Year/Serial No. i.e. 20/1CP3CPT000001

**WARNING - DO NOT OPEN WHEN AN  
EXPLOSIVE ATMOSPHERE MAY BE PRESENT**

#### 3) Type Approval Standards

The beacon has an EC Type examination certificate issued by SIRA and have been approved to the following standards: -

EN60079-0:2018 / IEC60079-0:2017  
EN60079-1:2014 / IEC60079-1:2014  
EN60079-7:2015 / IEC60079-7:2017

EN60079-18:2015 / IEC60079-18:2014  
EN60079-31:2014 / IEC60079-31:2013

The equipment is certified for use in ambient temperatures in the range  
BExCP3C-PT -40°C to +65°C  
and shall not be used outside this range

#### 4) Installation Requirements

Installation of this equipment shall only be carried out by suitably trained personnel in accordance with the applicable code of practice e.g. IEC 60079-14/EN 60079-14

Repair of this equipment shall only be carried out by the manufacturer or in accordance with the applicable code of practice e.g. IEC 60079-19/EN 60079-19.

Refer to certificates SIRA 09ATEX3286X, IECEx SIR 09.0121X and CSAE 21UKEX3556X for special conditions of safe use.

The certification of this equipment relies on the following materials used in its construction:

Enclosure: Aluminium Pressure Die Cast Body LM6

Through enclosure mechanism: Plastic Nylon Zytel Injection Moulded

Sealing of enclosure and mechanism: O-ring Acrylonitrile-Butadiene Rubber

Potting Compound of resistors where used: Epoxy Resin

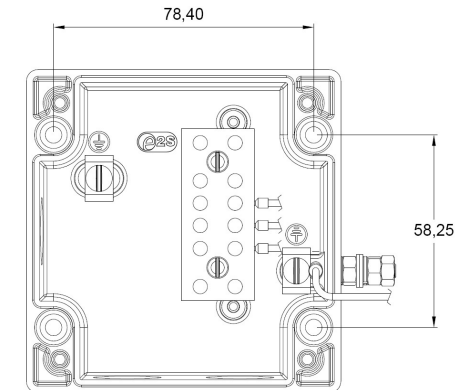
If the equipment is likely to come into contact with aggressive substances, then it is the responsibility of the user to take suitable precautions that prevent it from being adversely affected, thus ensuring that the type of protection is not compromised.

"Aggressive substances" - e.g. acidic liquids or gases that may attack metals, or solvents that may affect polymeric materials.

"Suitable precautions" - e.g. regular checks as part of routine inspections or establishing from the material's data sheet that it is resistant to specific chemicals.

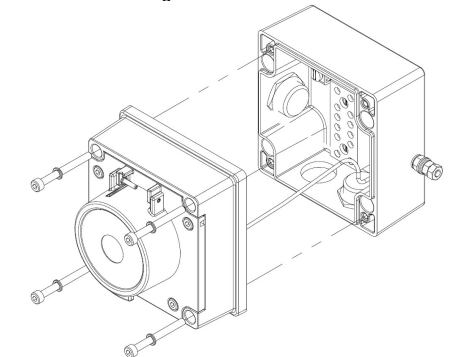
#### 5) Call Point Location and Mounting

The location of the call point should enable ease of access for operation and testing. The unit should be mounted using the 4 off fixing holes which will accept up to M4 sized fixings.



View of base unit showing fixing centres.

To gain access to the mounting holes in the base the front cover must be removed. This is achieved by removing the 4 off M4 cap head bolts holding on the cover.



Once the screws are removed the cover will hang down out of the way to gain access to the Ex e terminal block, the internal earth terminal and mounting hole recesses.

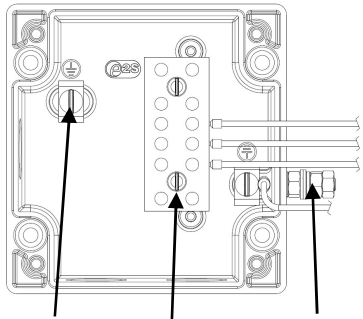
## 6) Earthing

The unit has both internal and external earth terminals.

It is recommended that a cable crimp lug is used on the earth wires.

The internal earth wire is placed under a earth clamp which will stop the cable twisting. This is secured by an M4 screw and spring washer.

The external earth lug should be located between the two M5 washers provided and securely locked down with the M5 spring washer and two locknuts.



Internal Earth terminal      Ex e terminal block      External Earth Stud

Note: Depending on options chosen an 8-Way DIN Rail or 6-Way terminal block may be selected.

## 7) Cable connections

There are 3 off cable entry holes suitable for M20x1.5 Ex e approved cable glands or stopping plugs with a minimum ingress protection of IP66.

The unit can be wired in a number of different ways depending on the resistor combination selected. Refer to wiring schematic D150-06-051 for detail.

EOL (End of line) device:

resistor – ExxxR / diode – ED1 / zener – ExxxZ

Series (In line) device:

resistor – SxxxR / diode – SD1 / zener – SxxxZ

Microswitch 1 = M/S 1

When wiring to Increased Safety terminal enclosures, you are only permitted to connect one wire into each way on the terminal block, unless a pair of wires are crimped into a suitable ferrule.

For the six-way terminal block wire sizes allowable are 0.5mm<sup>2</sup> to 4.0mm<sup>2</sup>. For the 8-way DIN rail wire sizes allowable are 0.5mm<sup>2</sup> to 2.5mm<sup>2</sup>

Leads connected to the terminals shall be insulated for the appropriate voltage and this insulation shall extend to within 1mm of the metal of the terminal throat. They shall only be installed and wired with cable in an ambient temperature of -10°C to +80°C.

All terminal screws, used or unused, shall be tightened down to between 0.5 Nm and 0.7 Nm.

Voltage option	Max Voltage	Min resistor value allowable in module Type C unit (1.5W)
6 V dc	6 V dc	27 ohms
12V dc	12 V dc	110 ohms
24V dc	24 V dc	430 ohms
48V dc	48 V dc	1K8 ohms

Table 1

### 7.1) Current Limitations

The maximum allowable current is determined as the smallest value from the following scenarios:

- When both module resistor values are the same as or above the minimum range of values shown in table 1, the current is not further limited.

However, when either resistor value is *lower* than those shown in table 1, the current must be limited to the values given in table 2.

Voltage option	Max Voltage	Max current when resistor values lower than minimum
6 V dc	6 V dc	250mA
12V dc	12 V dc	125mA
24V dc	24 V dc	62mA
48V dc	48 V dc	31mA

Table 2

For example, if a 24V DC unit is fitted with a series resistor of 270 ohms, the maximum current of the unit would be reduced to 62mA since the resistance is less than the minimum 430 ohms allowable at this voltage.

E2S recommends a minimum resistor value of 100 ohms for a Series device and 180 ohms for an EOL device fitted to a 24V unit.

- If a diode module is pre-fitted as either an EOL or Series Device, the following current limitation applies:

Unit Voltage	Max. Diode Current
48V DC	0.75A
6, 12 & 24V DC	2.0A

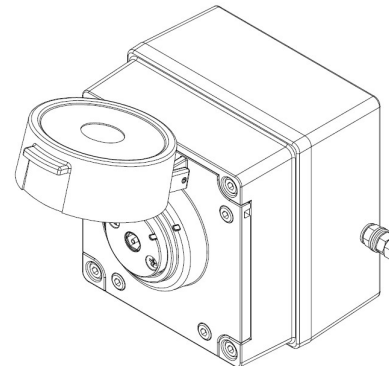
- If a Zener diode module is pre-fitted as either EOL or Series device, the following current limitation applies:

Zener Voltage	Max. Input Voltage	Max. Current
3.3V	56V DC	230mA
4.7V		162mA
5.1V		149mA
5.6V		136mA
6.2V		122mA
6.8V		112mA
10V		76mA
12V		63mA

## 8) Testing unit operation

The tool reset unit can be tested without the need to replace any element.

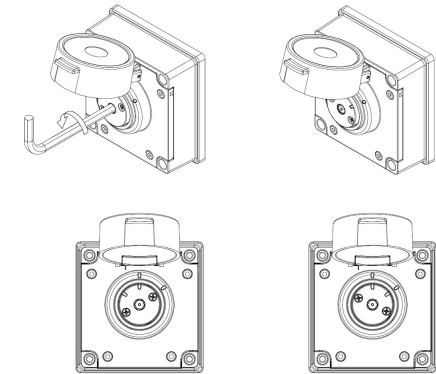
To test, lift the cover lift flap to reveal the tool reset button. The button should be pressed into the body to activate the unit and place it into the operated condition.



The call point switch will now changeover its contacts to operate the alarm. Once testing is complete the unit needs to be reset from the operated condition.

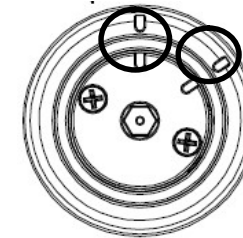
Using the special reset tool provided the tool reset button is rotated anticlockwise by an angle of 55°, see guide alignment marks on button and cover, shown below (1). The tool reset button should pop back up to its original position.

Ensure that the tool reset button has also twisted back clockwise by 55° to its original position see guide marks on button and cover, shown below (2). The unit is now reset.



1. On operated unit Twist tool reset button Anticlockwise 55° with special key to reset

2. Button should pop up and twist back to original position



Note: use alignment marks circled to indicate the tool reset button's status /position.

Unit currently shown as 'standby condition'

Resetting an operated unit is the same as resetting a tested unit.

## 9) SIL 2 Reliability Data

Reliability and Functional safety IEC/EN61508 which has been assessed and is considered suitable for use in low demand safety function:

- Random Hardware Failures and Systematic Failures (route 2H)
- As an unvoted item (i.e. hardware fault tolerance of 0) at SIL 2

The product was assessed against failure modes:

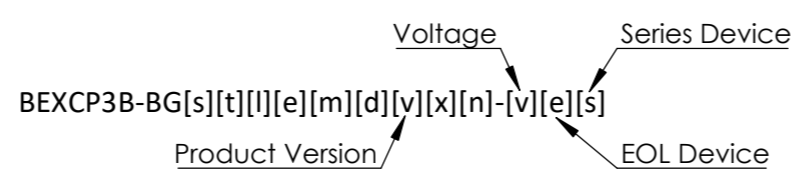
- Failure to close a contact when the call point is struck with specified force
- Failure to open a contact when the call point is struck with specified force
- Spurious output despite no input

Integrity in respect of failure to close	SIL 2
Total Failure rate	0.133 pmh
"hazardous" failure rate (revealed)	0 pmh
"hazardous" failure rate (unrevealed)	0.1 pmh
"safe" failure rate (revealed)	0.033 pmh
"safe" failure rate (unrevealed)	0
Diagnostic Coverage	99%
System type	A
Hardware Fault Tolerance	0
Safe Failure Fraction	>99%
PFD (hazardous failure)	$1.25 \times 10^{-3}$
Proof Test Interval	Up to 1 year

# SINGLE MICROSWITCH WITH DEVICES

PRODUCTS:  
 BExCP3B/C/D/E - BG  
 BExCP3B/C/D/E - PB  
 BExCP3B/C/D/E - PT

Notes:  
 1. Other configurations of dual switch units are possible.  
 Contact E2S sales to discuss options.

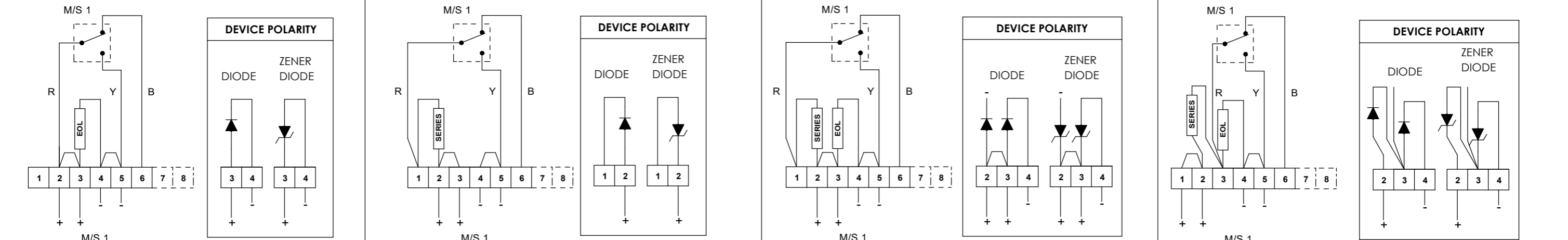
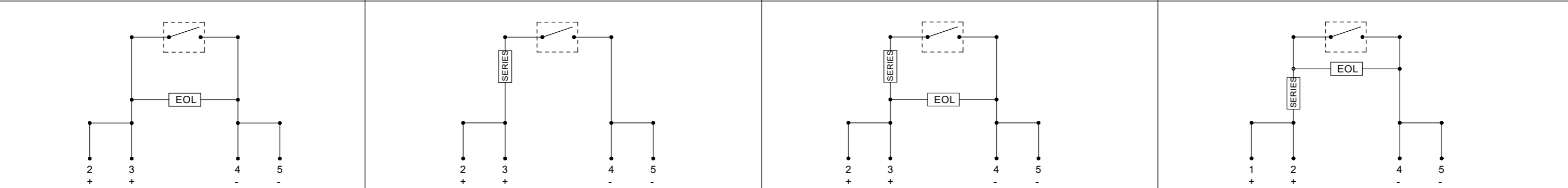


Module Device Codes		
	EOL	Series
Resistor	ExxxR	SxxxR
Diode	ED1	SD1
Zener Diode	ExxxZ	SxxxZ
LED	N/A	L or C

ISSUE	MOD No.	REASON - INITIAL - DATE
1		INTRODUCTION D.A.H - 07-02-2020
2	ACN0077	TYPE E ADDED ; SIMPLIFIED DIAGRAMS ADDED. D.A.H - 26-08-2020
3		DEVICE POLARITY DETAIL ADDED ; CODING UPDATED D.A.H - 21-12-2021

SINGLE SWITCH WITH EOL DEVICE	CONFIG. 1	SINGLE SWITCH WITH SERIES DEVICE	CONFIG. 2	SINGLE SWITCH WITH EOL & SERIES DEVICE	CONFIG. 3	SINGLE SWITCH WITH EOL & SERIES DEVICE	CONFIG. 4
-------------------------------	-----------	----------------------------------	-----------	--	-----------	--	-----------

SWITCH TYPE [s] [S] PRODUCT OPTION [o] [1] EOL MODULE [e] [Exxxx]	Single Standard EOL Device	SWITCH TYPE [s] [S] PRODUCT OPTION [o] [1] SERIES MODULE [s] [Sxxxx]	Single Standard Series Device	SWITCH TYPE [s] [S] PRODUCT OPTION [o] [1] MODULES [e][s] [Exxxx][Sxxxx]	Single Standard EOL + Series	SWITCH TYPE [s] [S] PRODUCT OPTION [o] [W] MODULE [e][s] [Exxxx][Sxxxx]	Single Alternative Wiring EOL + Series
---	----------------------------------	--	-------------------------------------	--	------------------------------------	---	--



<p><b>Circuit shown in Unoperated condition</b></p> <p><b>Unoperated condition (Glass Intact / Standby Condition)</b>                  Terminals +(2,3) &amp; -(4,5) open                  Terminals +(2,3) &amp; (6) closed</p> <p><b>Operated condition (Glass Broken / Button pushed in)</b>                  Terminals +(2,3) &amp; -(4,5) closed                  Terminals +(2,3) &amp; (6) open</p>	<p><b>Circuit shown in Unoperated condition</b></p> <p><b>Unoperated condition (Glass Intact / Standby Condition)</b>                  Terminals +(2,3) &amp; -(4,5) open                  Terminals +(2,3) &amp; (6) closed</p> <p><b>Operated condition (Glass Broken / Button pushed in)</b>                  Terminals +(2,3) &amp; -(4,5) closed                  Terminals +(2,3) &amp; (6) open</p>	<p><b>Circuit shown in Unoperated condition</b></p> <p><b>Unoperated condition (Glass Intact / Standby Condition)</b>                  Terminals +(2,3) &amp; -(4,5) open                  Terminals +(2,3) &amp; (6) closed</p> <p><b>Operated condition (Glass Broken / Button pushed in)</b>                  Terminals +(2,3) &amp; -(4,5) closed                  Terminals +(2,3) &amp; (6) open</p>	<p><b>Circuit shown in Unoperated condition</b></p> <p><b>Unoperated condition (Glass Intact / Standby Condition)</b>                  Terminals +(1,2) &amp; -(4,5) M/S 1 open                  Terminals +(1,2) &amp; (6) M/S 1 closed</p> <p><b>Operated condition (Glass Broken / Button pushed in)</b>                  Terminals +(1,2) &amp; -(4,5) M/S 1 closed                  Terminals +(1,2) &amp; (6) M/S 1 open</p>
--	--	--	--

DRAWING TO BS8888:2000 GEOMETRIC TOLERANCES TO ISO1101:1983 LINEAR DIMENSIONAL TOLS ANGULAR DIMENSIONAL TOLS	DRAWN <b>D.HOWGILL</b> DATE 07-02-20	SURFACE FINISH WEIGHT (Kg)	MATERIAL	THIS DRAWING AND ANY INFORMATION OR DESCRIPTIVE MATTER THEREIN IS COMMUNICATED IN CONFIDENCE AND IS THE COPYRIGHT PROPERTY OF EUROPEAN SAFETY SYSTEMS LTD. NEITHER THE WHOLE OR ANY EXTRACT MAY BE DISCLOSED, LOANED, COPIED OR USED FOR MANUFACTURING OR TENDERING PURPOSES WITHOUT THEIR WRITTEN CONSENT.	EUROPEAN SAFETY SYSTEMS LTD IMPRESS HOUSE MANSELL ROAD ACTON LONDON W3 7QH WWW.E2S.COM	ALL DIMENSIONS IN MM IF IN DOUBT, ASK - DO NOT SCALE	A3
STANDARDS <b>BExCP3B/C/D/E CALL POINTS</b>	CHECKED <b>R.N.POTTS</b> DATE 07-02-20	ALTERNATIVE MATERIAL	EUROPEAN SAFETY SYSTEMS LTD. AS PER LATEST DATE OF ISSUE SHOWN ABOVE	TITLE <b>BExCP3B/C/D/E-BG/PB/PT MANUAL                  CALL POINT WIRING SCHEMATIC</b>	SCALE NTS	SHEET 1 OF 1	DRAWING NUMBER <b>D150-06-051</b>

# EU Declaration of Conformity



**Manufacturer:** European Safety Systems Ltd.  
Impress House, Mansell Road, Acton  
London, W3 7QH  
United Kingdom

**Authorised Representative:** E2S Warnsignaltechnik UG  
Charlottenstrasse 45-51  
72764 Reutlingen  
Germany

**Equipment Type:** BExCP3A-BG, BExCP3A-PB, BExCP3A-PT, BExCP3B-BG, BExCP3B-PB, BExCP3B-PT,  
BExCP3C-BG, BExCP3C-PB, BExCP3C-PT, BExCP3D-BG, BExCP3D-PB, BExCP3D-PT,  
BExCP3E-BG, BExCP3E-PB, BExCP3E-PT

---

## Directive 2014/34/EU: Equipment and Protective Systems for use in Potentially Explosive Atmospheres (ATEX)

Notified Body for EU type Examination (Module B):	Sira Certification Service Notified Body No.: 2813 CSA Group Netherlands B.V, Utrechtseweg 310, 6812 AR, Arnhem, Netherlands										
EU-type Examination Certificate (Module B):	SIRA 09ATEX3286X										
Notified Body for Quality Assurance Notification / Conformity to EU-type based on quality assurance of the production process (Module D):	Sira Certification Service Notified Body No.: 2813 CSA Group Netherlands B.V, Utrechtseweg 310, 6812 AR, Arnhem, Netherlands										
Quality Assurance Notification (Module D):	SIRA 05 ATEX M342										
Provisions fulfilled by the equipment:	<table><tr><td>BExCP3A:</td><td>II 2G Ex db eb IIC T6 Gb (-40°C ≤ Ta ≤ +70°C) II 2D Ex tb IIIC T75°C Db (-40°C ≤ Ta ≤ +70°C) or</td></tr><tr><td>BExCP3B:</td><td>II 2G Ex db eb mb IIC T4 Gb (-40°C ≤ Ta ≤ +50°C) II 2D Ex tb IIIC T60°C Db (-40°C ≤ Ta ≤ +50°C) or</td></tr><tr><td>BExCP3C:</td><td>II 2G Ex db eb mb IIC T4 Gb (-40°C ≤ Ta ≤ +65°C) II 2D Ex tb IIIC T75°C Db (-40°C ≤ Ta ≤ +65°C) or</td></tr><tr><td>BExCP3D:</td><td>II 2G Ex db eb mb IIC T4 Gb (-40°C ≤ Ta ≤ +70°C) II 2D Ex tb IIIC T80°C Db (-40°C ≤ Ta ≤ +70°C) or</td></tr><tr><td>BExCP3E:</td><td>II 2G Ex db eb mb IIC T4 Gb (-40°C ≤ Ta ≤ +65°C) II 2D Ex tb IIIC T75°C Db (-40°C ≤ Ta ≤ +65°C)</td></tr></table>	BExCP3A:	II 2G Ex db eb IIC T6 Gb (-40°C ≤ Ta ≤ +70°C) II 2D Ex tb IIIC T75°C Db (-40°C ≤ Ta ≤ +70°C) or	BExCP3B:	II 2G Ex db eb mb IIC T4 Gb (-40°C ≤ Ta ≤ +50°C) II 2D Ex tb IIIC T60°C Db (-40°C ≤ Ta ≤ +50°C) or	BExCP3C:	II 2G Ex db eb mb IIC T4 Gb (-40°C ≤ Ta ≤ +65°C) II 2D Ex tb IIIC T75°C Db (-40°C ≤ Ta ≤ +65°C) or	BExCP3D:	II 2G Ex db eb mb IIC T4 Gb (-40°C ≤ Ta ≤ +70°C) II 2D Ex tb IIIC T80°C Db (-40°C ≤ Ta ≤ +70°C) or	BExCP3E:	II 2G Ex db eb mb IIC T4 Gb (-40°C ≤ Ta ≤ +65°C) II 2D Ex tb IIIC T75°C Db (-40°C ≤ Ta ≤ +65°C)
BExCP3A:	II 2G Ex db eb IIC T6 Gb (-40°C ≤ Ta ≤ +70°C) II 2D Ex tb IIIC T75°C Db (-40°C ≤ Ta ≤ +70°C) or										
BExCP3B:	II 2G Ex db eb mb IIC T4 Gb (-40°C ≤ Ta ≤ +50°C) II 2D Ex tb IIIC T60°C Db (-40°C ≤ Ta ≤ +50°C) or										
BExCP3C:	II 2G Ex db eb mb IIC T4 Gb (-40°C ≤ Ta ≤ +65°C) II 2D Ex tb IIIC T75°C Db (-40°C ≤ Ta ≤ +65°C) or										
BExCP3D:	II 2G Ex db eb mb IIC T4 Gb (-40°C ≤ Ta ≤ +70°C) II 2D Ex tb IIIC T80°C Db (-40°C ≤ Ta ≤ +70°C) or										
BExCP3E:	II 2G Ex db eb mb IIC T4 Gb (-40°C ≤ Ta ≤ +65°C) II 2D Ex tb IIIC T75°C Db (-40°C ≤ Ta ≤ +65°C)										
Standards applied:	EN IEC 60079-0:2018 EN 60079-1:2014 EN 60079-7:2015/A1:2108 IEC 60079-18:2015/AC:2018 EN 60079-31: 2014 IP6X Dust Protection to EN60079-0 / EN 60079-31										

## Directive 2014/30/EU: Electromagnetic Compatibility Directive (EMC)

Standards applied:	EN 61000-6-1:2007 EN 61000-6-2:2005 EN 61000-6-3:2007 / A1:2011 / AC: 2012 EN 61000-6-4:2007 / A1:2011
--------------------	---

## Directive 2011/65/EU: Restriction of the use of certain hazardous substances in electrical and electronic equipment (RoHS)

The product and all the components contained within it are in accordance with the restriction of the use of hazardous substances in electrical and electronic equipment, including amendment by Directive 2015/863/EU.

# EU Declaration of Conformity



Regulation (EC) 1907/2006: Registration, Evaluation, Authorisation and Restriction of Chemicals (REACH)

The product and all the components contained within it are free from substances of very high concern.

Other Standards and Regulations

EN 60529:1992+A2:2013 - Degrees of protection provided by enclosures (IP code) – enclosure rated IP66

Construction and design requirements according to EN54-11:2001 clause 4.7 – BExCP3A-BG / B-BG / C-BG / D-BG only (fitted with burning house symbol shown in figure 3a and no lift flap)

---

On behalf of European Safety Systems Ltd., I declare that, on the date the equipment accompanied by this declaration is placed on the market, the equipment conforms with all technical and regulatory requirements of the above listed directives, regulations and standards.

This Declaration is issued under the sole responsibility of the manufacturer.

A handwritten signature in black ink, appearing to read 'Martin Streetz'.

Martin Streetz  
Quality Assurance Manager

Document No.: DC-007\_Issue\_N  
Date and Place of Issue: London, 23/12/2020



# UKCA Declaration of Conformity



Manufacturer: European Safety Systems Ltd.  
Impress House, Mansell Road, Acton  
London, W3 7QH  
United Kingdom

Equipment Type: BExCP3A-BG, BExCP3A-PB, BExCP3A-PT, BExCP3B-BG, BExCP3B-PB, BExCP3B-PT,  
BExCP3C-BG, BExCP3C-PB, BExCP3C-PT, BExCP3D-BG, BExCP3D-PB, BExCP3D-PT,  
BExCP3E-BG, BExCP3E-PB, BExCP3E-PT

Directive UKSI 2016:1107 (as amended by UKSI 2019:696) – Schedule 3A, Part 1 : Product or Protective System Intended for use in Potentially Explosive Atmospheres (UKCA)

Notified Body for UK type Examination (Module B): Sira Certification Service  
Notified Body No.: 0518  
Rake Lane, Eccleston, Chester CH4 9JN, UK

UK-type Examination Certificate (Module B): CSAE 21UKEX3556X

Notified Body for Quality Assurance Notification / Conformity to EU-type based on quality assurance of the production process (Module D): Sira Certification Service  
Notified Body No.: 0518  
Rake Lane, Eccleston, Chester CH4 9JN, UK

Quality Assurance Notification (Module D): CSAE 22UKQAN0046

Provisions fulfilled by the equipment:

BExCP3A:	II 2G Ex db eb IIC T6 Gb (-40°C ≤ Ta ≤ +70°C) II 2D Ex tb IIIC T75°C Db (-40°C ≤ Ta ≤ +70°C) or
BExCP3B:	II 2G Ex db eb mb IIC T4 Gb (-40°C ≤ Ta ≤ +50°C) II 2D Ex tb IIIC T60°C Db (-40°C ≤ Ta ≤ +50°C) or
BExCP3C:	II 2G Ex db eb mb IIC T4 Gb (-40°C ≤ Ta ≤ +65°C) II 2D Ex tb IIIC T75°C Db (-40°C ≤ Ta ≤ +65°C) or
BExCP3D:	II 2G Ex db eb mb IIC T4 Gb (-40°C ≤ Ta ≤ +70°C) II 2D Ex tb IIIC T80°C Db (-40°C ≤ Ta ≤ +70°C) or
BExCP3E:	II 2G Ex db eb mb IIC T4 Gb (-40°C ≤ Ta ≤ +65°C) II 2D Ex tb IIIC T75°C Db (-40°C ≤ Ta ≤ +65°C)

Standards applied: EN IEC 60079-0:2018  
EN 60079-1:2014  
EN 60079-7:2015/A1:2108  
IEC 60079-18:2015/AC:2018  
EN 60079-31: 2014  
IP6X Dust Protection to EN60079-0 / EN 60079-31

Directive 2014/30/EU: Electromagnetic Compatibility Directive (EMC)

Standards applied: EN 61000-6-1:2007  
EN 61000-6-2:2005  
EN 61000-6-3:2007 / A1:2011 / AC: 2012  
EN 61000-6-4:2007 / A1:2011

Directive 2011/65/EU: Restriction of the use of certain hazardous substances in electrical and electronic equipment (RoHS)

The product and all the components contained within it are in accordance with the restriction of the use of hazardous substances in electrical and electronic equipment, including amendment by Directive 2015/863/EU.

Regulation (EC) 1907/2006: Registration, Evaluation, Authorisation and Restriction of Chemicals (REACH)

The product and all the components contained within it are free from substances of very high concern.



# UKCA Declaration of Conformity



## Other Standards and Regulations

EN 60529:1992+A2:2013 - Degrees of protection provided by enclosures (IP code) – enclosure rated IP66

Construction and design requirements according to EN54-11:2001 clause 4.7 – BExCP3A-BG / B-BG / C-BG / D-BG only (fitted with burning house symbol shown in figure 3a and no lift flap)

---

On behalf of European Safety Systems Ltd., I declare that, on the date the equipment accompanied by this declaration is placed on the market, the equipment conforms with all technical and regulatory requirements of the above listed directives, regulations and standards.

This Declaration is issued under the sole responsibility of the manufacturer.

Martin Streetz  
Quality Assurance Manager

Document No.: DC-093\_Issue\_A  
Date and Place of Issue: London, 24/02/2022