

GNE_xCP7-PM Momentary Push Button Manual Call Point

The explosion proof GNE_xCP7-PM momentary action push button Ex d manual call points feature a robust GRP enclosure with a 316 stainless steel mechanism and IP66/67 rating – designed for the harshest of hazardous environments.

Globally approved to IECEx, ATEX, UL and cUL standard for all Zone 1, 2, 21 & 22 and Class I/II Div 2 installations. Available with standard DIN rail terminals or the innovative E2S termination board providing dedicated connections for field installed EOL and/or series devices. SIL 2 compliant to IEC 61508 (2010).

Features

- Corrosion proof GRP enclosure, anti-static & UV stable
- Ingress protection IP66/67/68, 4/4X/3R/13
- Single or double switch (SPCO/DPCO)
- 316 (A4) Stainless Steel mechanism
- Latching lift flap
- 3 x M20 cable entries, 2 x Stopping plugs included
- Available with addressable modules
- Optional LED indicator

Approvals

- UL/cUL certificate: 20200224-E513632
- IECEx certificate: IECEx ULD 19.0007X
- ATEX certificate: DEMKO 19 ATEX 2101X
- UKCA certificate: UL21UKEX2134X
- INMETRO certificate IEx 23.0091X
- DNV certificate TAA000034V
- Ex EAC certified: EAC RU C-GB.AA71.B.00273/20
- PESO CCOE certified: P471512
- SIL2 compliant to IEC 61508 (2010)
- CSFM listing: 7151-2279_0509

Coding

- NEC / CEC:
 - Class I Div 2 Group ABCD T6 Ta -55°C to +60°C
 - Class II Div 2 Group FG T4 Ta -55°C to +60°C
 - Class III Div 1 & 2 Ta -55°C to +60°C
 - NEC:
 - Class I Zone 1 AEx db IIC T6 Gb (Ta -55°C to +60°C)
 - Zone 21 AEx tb IIIC T125°C Db (Ta -55°C to +60°C)
 - CEC:
 - Class I Zone 1 Ex db IIC T6 Gb X (Ta -55°C to +60°C)
 - Zone 21 Ex tb IIIC T135°C Db (Ta -55°C to +70°C)
 - IECEx & ATEX:
 - II 2G Ex db IIC T5 Gb Ta. -55 to +70°C
 - II 2G Ex db IIC T6 Gb Ta. -55 to +60°C
 - II 2D Ex tb IIIC T90°C Db Ta. -55° to +70°C
- See product manual for full product specific coding.

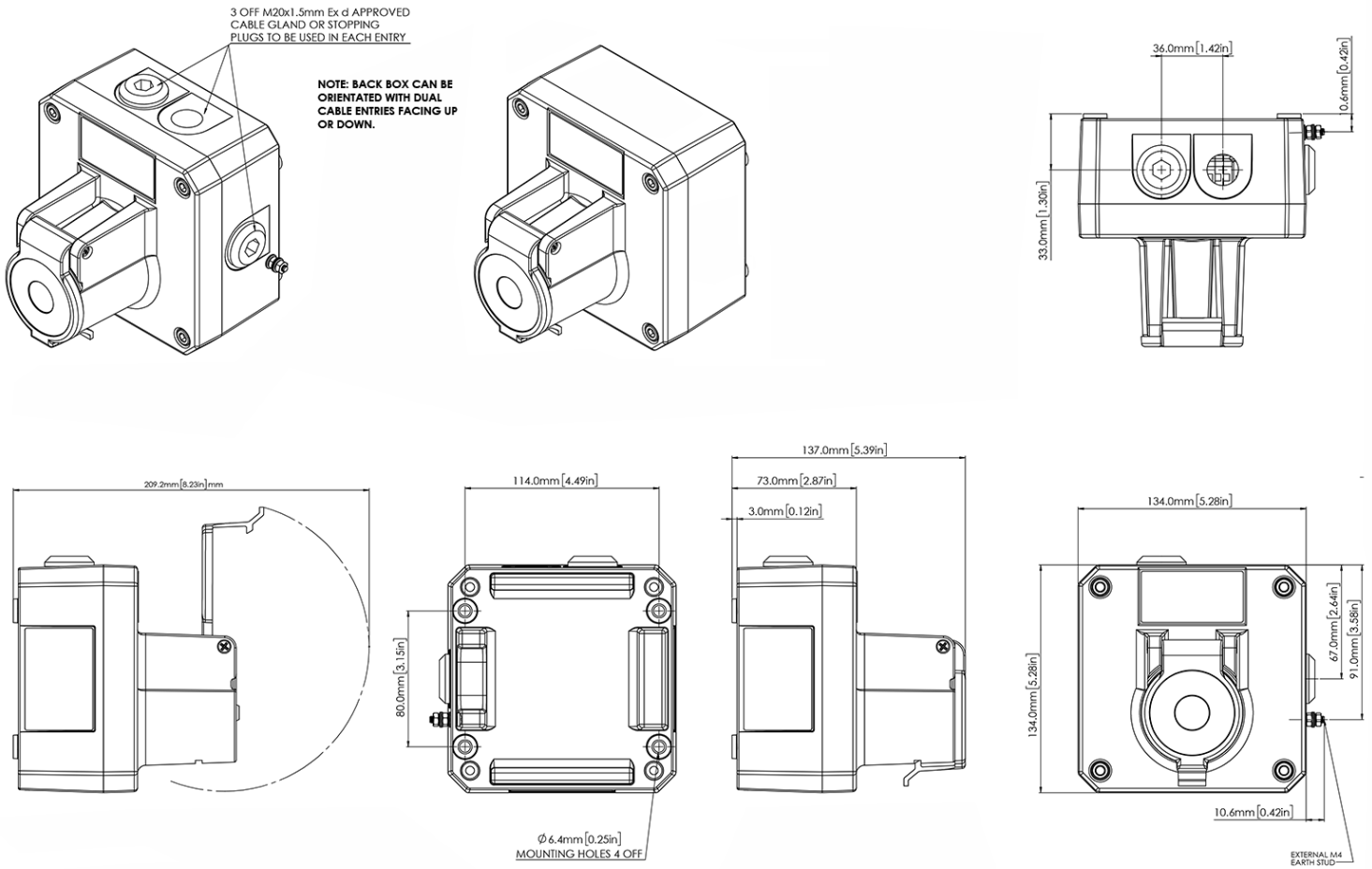


Specification

GNExCP7-PM:	Momentary push button	
Temp. Range:	-55°C to +70°C	
Switch:	Sealed – IP67	
Ingress protection:	IP66/67/68 to EN/IEC 60529 4/4X/3R/13 to UL50E/NEMA250	
Enclosure matl:	GRP Glass Reinforced Polyester, anti-static & UV stable	
Colour:	Red Other solid and striped colours available	
Lift flap:	Latching lift flap included as standard	
Cable entries:	2 x M20x1.5 down facing and 1 x M20x1.5 side Back box can be rotated to provide 2 x top facing and 1 x side entries Cable entries adaptable to 1/2"NPT, 3/4"NPT & M25	
Stopping plugs:	2 x Stopping plugs as standard Brass, Nickel plated or Stainless Steel	
Terminals:	DIN rail 8 × 2.5mm ² SAK2.5 or Termination board featuring 6 × 2.5mm ² terminals plus 4 x dedicated EOL & Series terminals	
Earth:	External M5 earth connection	
Relative Humidity:	R.H. 95% @ 20°C	
MTBF:	479.6 years / 4,201,680 hours I-MIL 217	
Weight:	2.1Kg/4.63lbs	
Voltage Range:	Max input Current:	Limitations for EOL / Series Resistors:
250Vac Max	3.33A max	not permitted
48Vdc Max	1.0A max	min. 2.2kOhm
24Vdc Max	3.0A max	min. 470 Ohm
EOL and Series Diode Values:		
xxx:	Zener Value	Max. current supply permitted
3V3	3.3V Diode	230mA
4V7	4.7V Diode	162mA
5V1	5.1V Diode	149mA
5V6	5.6V Diode	136mA
6V2	6.2V Diode	122mA
6V8	6.8V Diode	112mA
10V	10V Diode	76mA
12V	12V Diode	63mA
Accessories:		
SP65-0001-A4	Pole Mount Bracket Kit St/St A4 (316)	
SP65-0002-A4	Sunshade – St/St A4 (316)	

Part Codes

Version:	Part references:	Description:
Product type:	GNExCP7PM	Momentary push button
Switch type: [s]	S D	SPCO/SPDT DPCO/DPDT
Terminals: [t]	D P X	DIN Rail 8 × SAK2.5 Termination board: 6 × 2.5mm ² terminals plus 4 × EOL & Series terminals Addressable module – select below
Lift flap: [l]	L	Lift flap supplied as standard
Cable entries: [e]	A B C D E F G	3 × M20x1.5mm 2 × 1/2" NPT – adaptors 2 × 3/4" NPT – adaptors 2 × M25x1.5mm – adaptors 1 × 1/2" NPT – adaptor 1 × 3/4" NPT – adaptor 1 × M25x1.5mm – adaptor
Stopping plug/ adaptor material: [m]	B P S	Brass Nickel Plated Brass Stainless Steel
Duty label/Equipment tag: [d]:	1 2 3 4 5 6 7	No Duty label, no Equip. tag Duty label Stainless Steel Duty label St/St + Equip. tag Duty label Metalised Polyester Duty label M. Poly. + Equip. tag Equip. tag only Special label requirement
Product version: [v]	A H Z M C P E S	UL, cUL, IECEx, ATEX, CSFM & PESO Honeywell TC809B1008 module IECEx, ATEX Ziton A45E-2 module IECEx, ATEX Johnson Controls MIM800 module IECEx, ATEX Hochiki CHQCP2 monitor IECEx, ATEX Apollo XP95 mini module IECEx, ATEX Consilium IC10 module IECEx, ATEX Siemens XTRI-M module IECEx, ATEX
Product option: [o]	1 W 2 Y P V Note:	Standard product Alternate EOL & series wiring Duplicated EOL and/or series devices Duplicated EOL and series – alternate wiring Parallel wiring with or without EOL/series Parallel with EOL and series alternate wiring Duplicated EOL/series and Parallel wiring only available with switch type 'D'
Enclosure colour: [x]	R B N Y V S K M Z	Red Blue Green Yellow Red/White Yellow/Black Black Magenta Red/Black
LED indicator: [u]	N L C	No LED required LED with 1.5K ballast resistor LED without ballast resistor
E.O.L.Module: [e] optional	ExxxR ED1 ExxxZ	Resistor value in Ohms e.g. E470R = 470 Ohm Diode IN4007 = ED1 Zener diode e.g. E5V1Z = 5.1V
Series Module: [s] optional	SxxxR SD1 SxxxZ	Resistor value in Ohms e.g. S1K5R = 1.5K Ohm Diode IN4007 = SD1 Zener diode e.g. S5V1Z = 5.1V



Note

All trademarks are the property of their respective owners